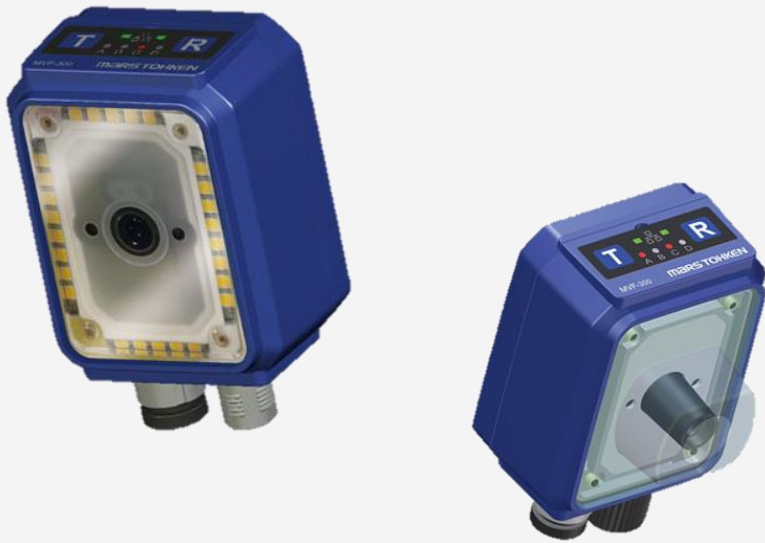


## MVF-300

# Outstanding Reader for Direct Marking

### New algorizm + Space-saving design



IP65 rating +

High speed processing +

1.2M pix +

Space-saving design +

2Dcode reading +

2Dcode Verifier model (-V) +

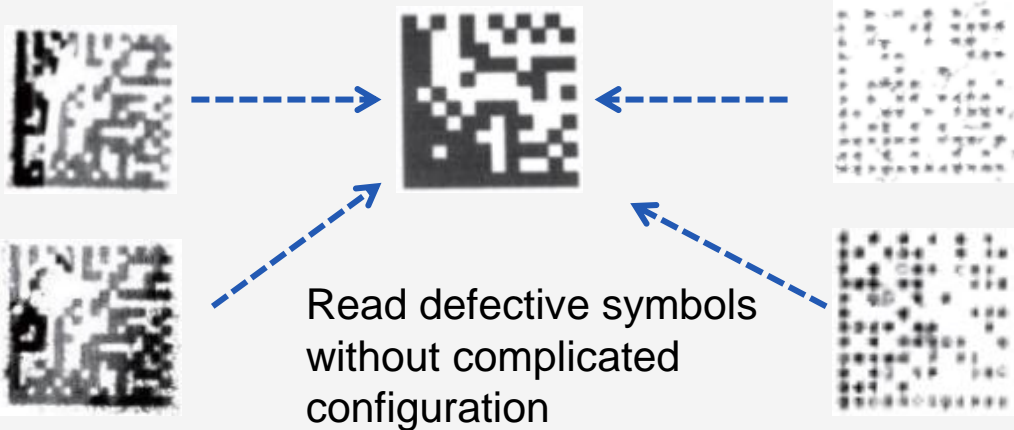
4 types of the distance +

PoE (Power over Ethenet) +

Regulation



*Thanks to new algorithm...*



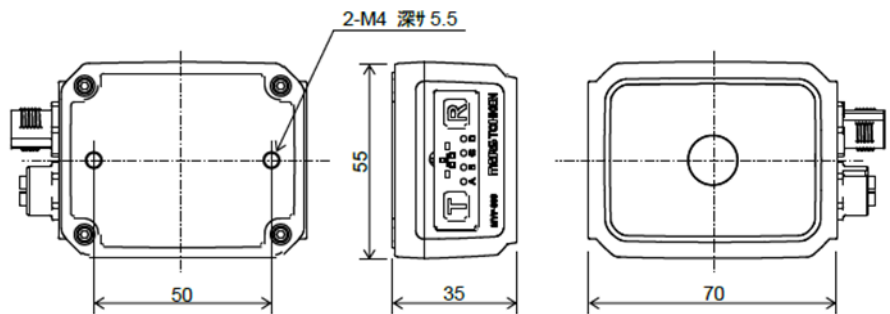
## MVF-300

### General specifications

Model number	MVF-300 (Distance) (Verifier) MVF-300SR / MVF-300SR-V MVF-300 / MVF-300-V MVF-300LR / MVF-300LR-V MVF-300LR2 / MVF-300LR2-V
Interface	RS-232C, Ethernet
Supported barcodes (2D)	DataMatrix(ECC200), QR Code
Reading distance (area)	MVF-300SR Cell 0.125mm : 50mm (37 x 28mm) ~ 70mm (49 x 37mm) MVF-300 Cell 0.25mm : 70mm (38 x 29mm) ~ 150mm (79 x 60mm) MVF-300LR Cell 0.25mm : 175mm (38 x 29mm) ~ 230mm (51 x 38mm) MVF-300LR2 Cell 0.25mm : 250mm (56 x 42mm) ~ 350mm (81 x 60mm)
Power	DC24V±10% / PoE(Power over Ethernet)
Power consumption	400mA
Operating temperature / humidity	0 to 40°C / 35 to 85%RH (non-condensing)
Storage temperature / humidity	-20 to 65 °C / 35 to 85%RH (non-condensing)
Protection rating	IP65
Resistance against vibration	10 ~ 55Hz Amplitude1.5mm / X, Y, Z each direction 2 hours
Dimensions	70(H) x 55(W) x 35(D) : MVF-300SR , MVF-300 70(H) x 55(W) x 50.5(D) : MVF-300LR , MVF-300LR2
Weight	200g

### 【 Dimensions 】

MVF-300 / MVF-300SR



MVF-300LR / MVF-300LR2

